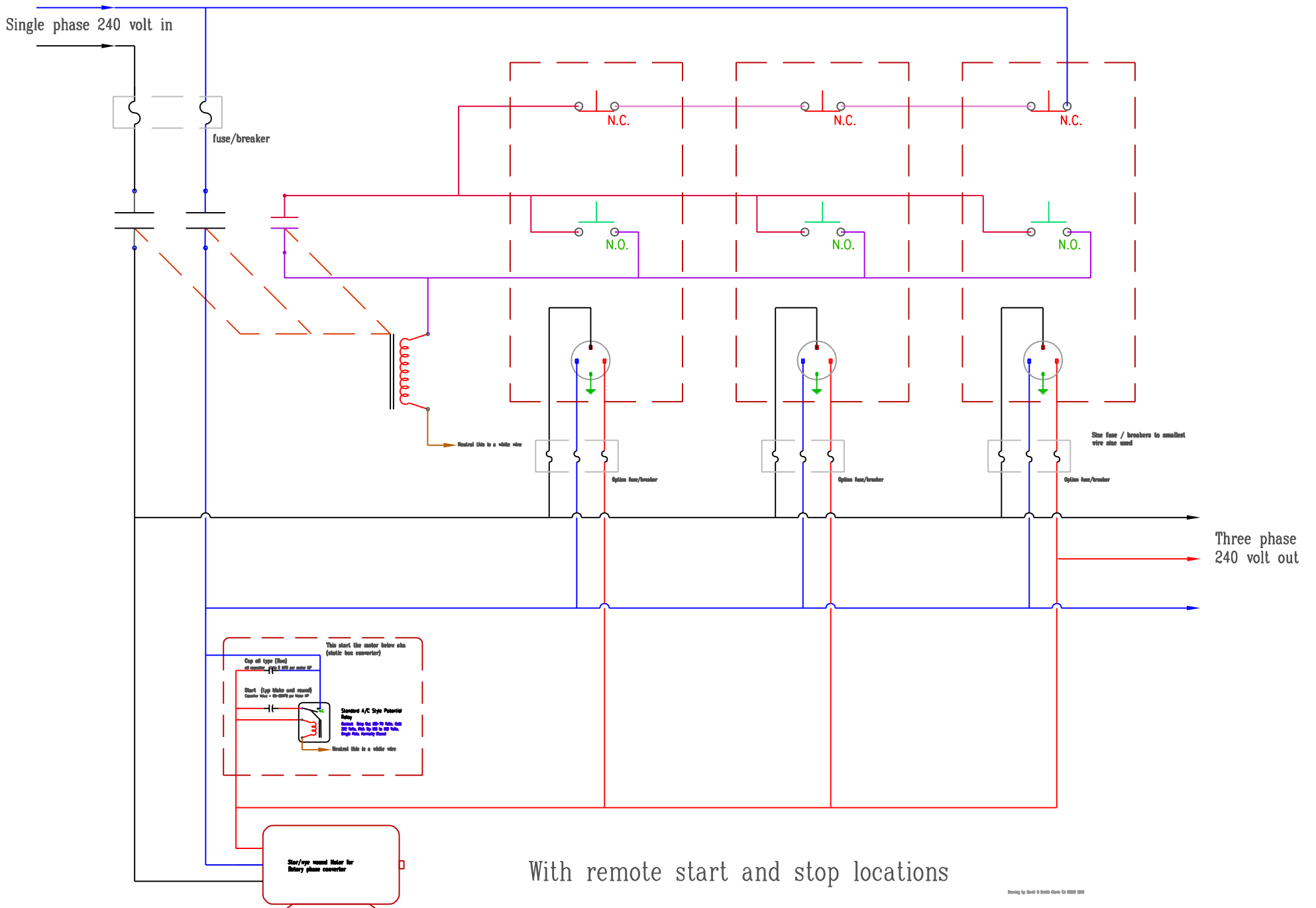


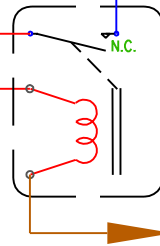
Basic just use a 240 volt switch to turn on and off three phase



This start the motor below aka  
(static box converter)

Cap oil type (Run)  
oil capacitor  $\frac{1}{2}$  to 2 MFD per motor HP

Start (typ blake and round)  
Capacitor Value = 60-80MFD per Motor HP



Standard A/C Style Potential  
Relay

Contact Drop Out 100-70 Volts, Hold  
332 Volts, Pick Up 166 to 180 Volts,  
Single Pole, Normally Closed

Neutral this is a white wire

Star/bye wound Motor for  
Rotary phase converter